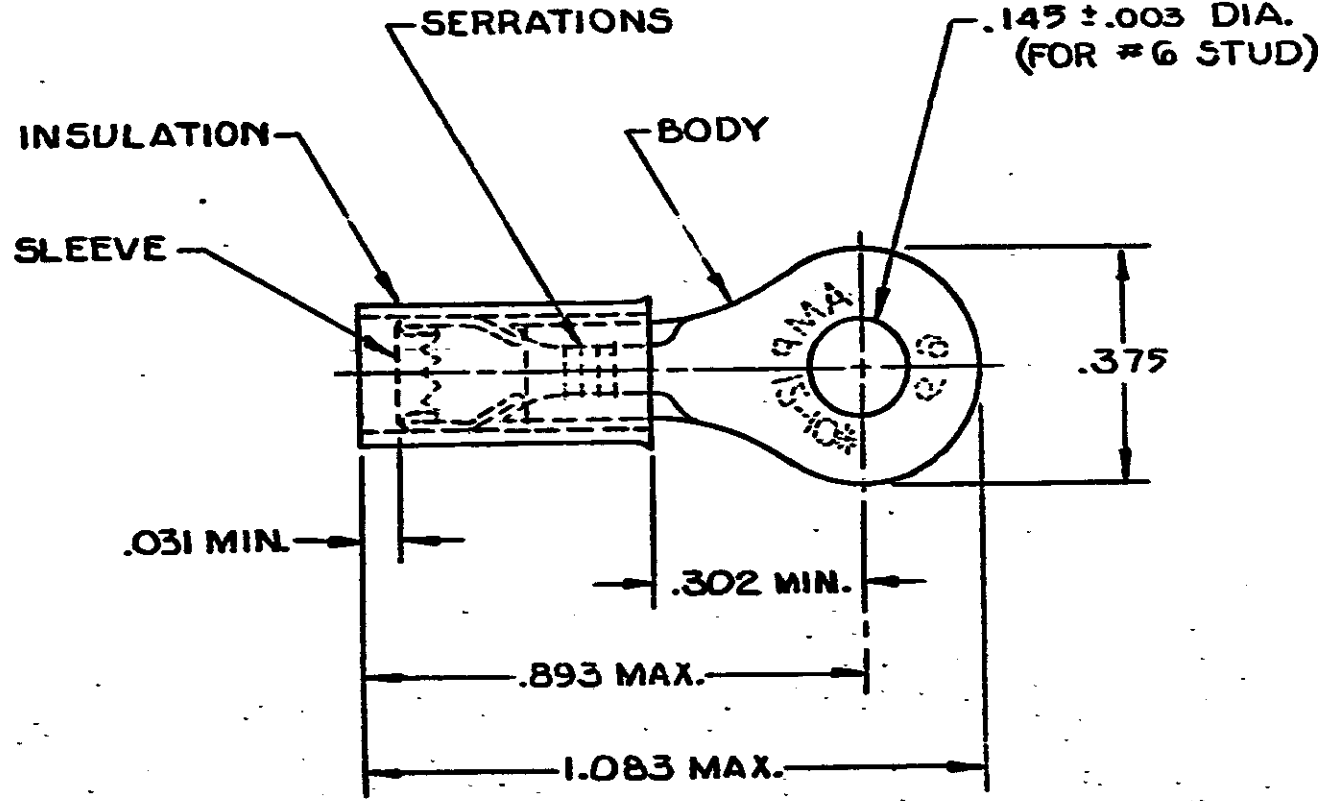


THIS DRAWING IS UNPUBLISHED. RELEASED FOR PUBLICATION . 19 .
 © COPYRIGHT 19 BY AMP INCORPORATED, HARRISBURG, PA. ALL INTERNATIONAL RIGHTS RESERVED. AMP PRODUCTS MAY BE COVERED BY U.S. AND FOREIGN PATENTS AND/OR PATENTS PENDING.

REVISIONS						
P	F	ZONE	LTR	DESCRIPTION	DATE	APPROVED
✓	✓		C	REDRAWN-REVISED PER G-1476, G-1175 & P85-0065	1/27/86	<i>Jim</i>
			D	OBSOLETE 2--2 PER G-2393	2/23/87	GS <i>Jim</i>
			E	REV PER G-4732	JT 2/24/87	<i>off</i>
✓			F	REV. / 0720-0036-93	TQ 3-4-93	<i>ml</i>



- 1 WIRE INSULATION DIA. = .150 - .250
- 2 TONGUE MATERIAL THK. = .040 ± .002
- 3 TIN PLATE (MIL-T-10727) .000100 MIN THK

QTY.	DESCRIPTION	PART NO
50	LOOSE PC, BOX	8-35107-2
500	ON TAPE, CS. BOX	2-35107-2
2500	ON TAPE, REEL	2-35107-1
—	LOOSE PIECE	35107

UNLESS OTHERWISE SPECIFIED DIMENSIONS ARE IN INCHES. TOLERANCES ON: DECIMALS ±.008 ANGLES ±	CONTRACT NO	AMP AMP INCORPORATED Harrisburg, Pa.	
	DR UTA/RFB 9-24-87		
	MATERIAL INSULATION: NYLON-YELLOW BODY & SLEEVE: COPPER (QQ-C-576)	NAME TERMINAL, P.I.D.G., RING TONGUE WIRE SIZE: 12-10	
	FINISH BODY: 3	SIZE B	FSCM NO 00779
OTHER APPD		SCALE NTS	SHEET 1 OF 1